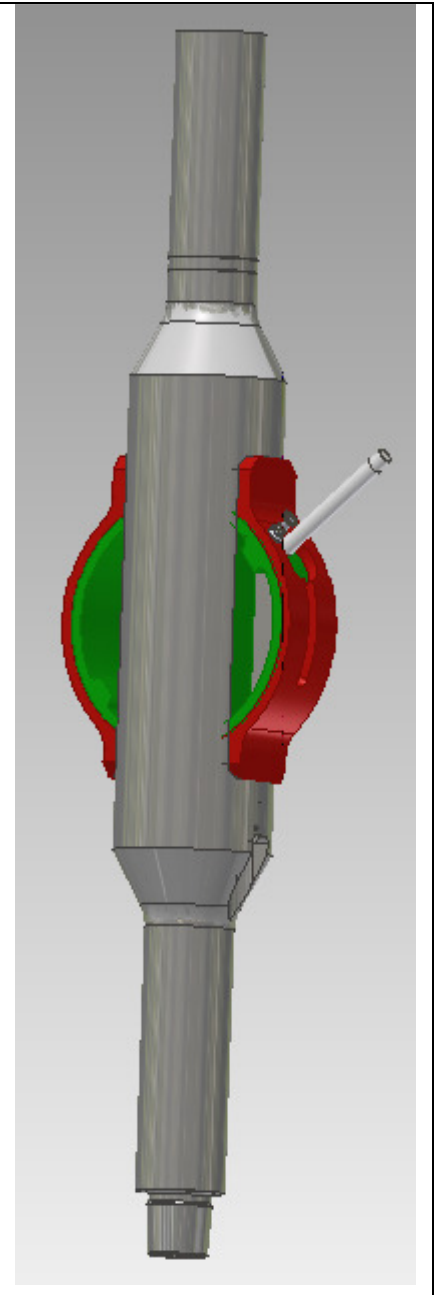


## Specification Sheet

# EzeeDROPPER™ DP Cement Head

<b>Model Number</b>	ED-DP-CH-SSC-12.00-3.50-00
<b>Main Body Max Diameter</b>	12.00"
<b>Main Body Length</b>	63.50"
<b>Inner Housings Diameter</b>	20.00"
<b>Main Body Min ID</b>	3.50"
<b>Inner Loading Tube ID</b>	3.50"
<b>Inner Loading Tube Length</b>	17.25"
<b>Operating Max Pressure Rating</b>	5000 psi
<b>Tool End Connections</b>	To Match Drill Pipe String
<b>Max Fluid Operating Temp</b>	150 C
<b>Approx. Assembly Weight</b>	800 kg
<b>Tensile Rating at 5000psi</b>	1,000,000 lbs*
<b>Maximum Torque at 5000psi</b>	50,000 ft/lbs*
<b>Approx. OAL c/w End Subs</b>	120.00"
<b>Max Solid Ball OD</b>	3.25"
<b>Max Foam Ball OD</b>	6.00"***
<b>Max Wiper Dart Length</b>	17.00"****
<b>Max Operating Flow Rate</b>	25 BPM
<b>Maximum Rotating RPM</b>	150 RPM****



\*Lower limit may be due to drill pipe end connections

\*\*Larger ball depends on compressibility of material of manufacture

\*\*\*Take account of length of dart when compressed in loading tube

\*\*\*\*Recommend handle is removed when rotating